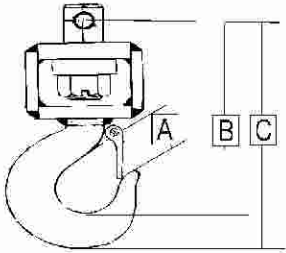


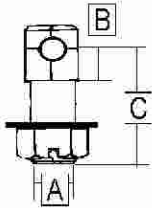
# CARGO MASTER® Accessories

## SWIVEL HOOK ASSEMBLY



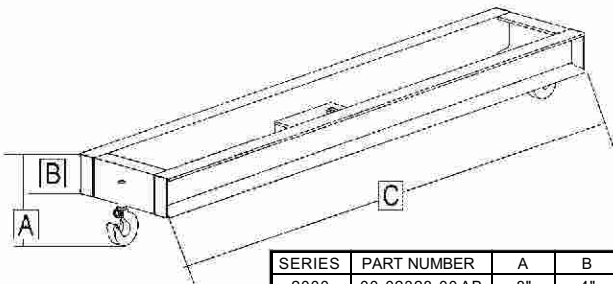
SERIES	PART NUMBER	A	B	C
2000	00-01684-00-AA	1 1/16"	5 9/16"	5 1/2"
4000	00-02665-00-AA	1 1/8"	6 7/16"	6 1/2"
6000	00-03641-00-AC	1 7/16"	7 3/4"	9 3/16"
8000	00-03641-00-AC	1 7/16"	7 3/4"	9 3/16"

## SWIVEL BOLT KIT



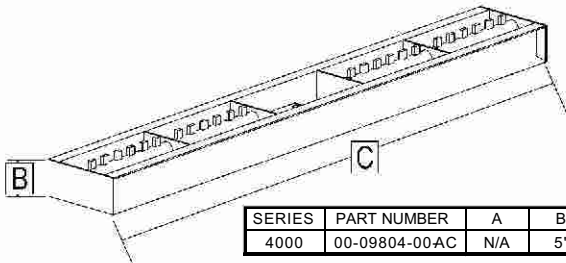
SERIES	PART NUMBER	A	B	C
2000	00-15327-02-AA	3/4"	1 1/16"	1 15/16"
4000	00-15327-04-AA	7/8"	7/8"	2 1/2"
6000	00-15327-08-AA	1"	7/8"	3 3/16"
8000	00-15327-08-AA	1"	7/8"	3 3/16"

## NON ADJUSTABLE SPREADER BARS

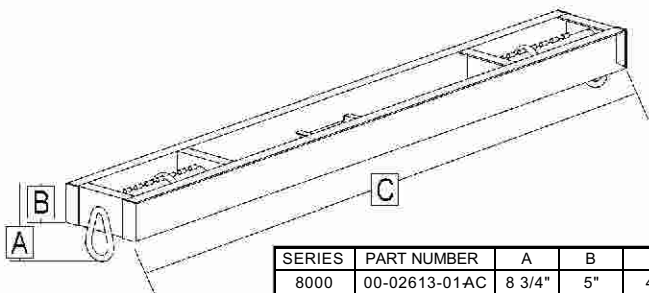


SERIES	PART NUMBER	A	B	C
2000	00-02328-00-AB	8"	4"	60 1/4"
4000	00-02329-00-AB	9"	5"	60 1/4"

## ADJUSTABLE SPREADER BARS

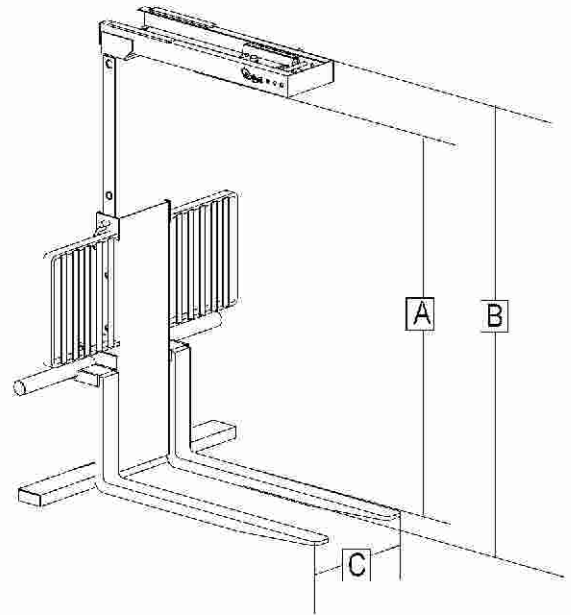


SERIES	PART NUMBER	A	B	C
4000	00-09804-00-AC	N/A	5"	84"



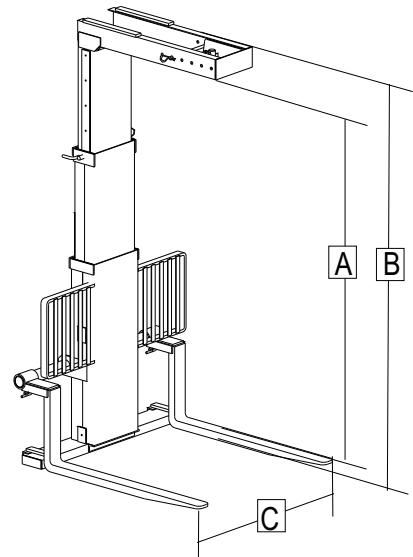
SERIES	PART NUMBER	A	B	C
8000	00-02613-01-AC	8 3/4"	5"	48"
8000	00-02613-02-AC	8 3/4"	5"	90"
8000 Series includes 2 fixed & 2 movable pear rings				

## ADJUSTABLE PALLET FORK



SERIES	PART NUMBER	A	B	C
2000	00-02326-00-AC	37 5/16" - 59 7/16"	63 15/16"	17 1/4" - 38 1/4"
4000	00-02314-00-AC	38 13/16" - 62 1/2"	70"	17 1/4" - 38 1/4"
3" Wide x 1 1/2" Thick x 38" Long Forks				
Adjustable stops on approximate on approximate center starting at 36"				

## DOUBLE ADJUSTABLE PALLET FORK



SERIES	PART NUMBER	A	B	C
2000	00-02653-01-AC	40" - 79 3/4"	85 1/4"	19 5/8" - 38 1/4"
4000	00-02653-00-AC	40" - 79 3/4"	85 1/4"	19 5/8" - 38 1/4"
3" Wide x 1 1/2" Thick x 38" Long Forks				
Adjustable stops set at 40", 45", 50", 55", 60", 70", 75", & 80"				

**WAYNE ENGINEERING CORPORATION**  
 701 Performance Drive, Cedar Falls, Iowa 50613-6952  
 Phone (319) 266-1721 Fax (319) 266-8207  
[Http://www.cargomaster.com](http://www.cargomaster.com)